



Ultimate Renewables Supplies

Supplying your renewable future

URS Wiring Schematics

Clivet Edge EVO 2.0



Content

Electrical – For Heat Pump and Associated Controls	3
Wiring diagram	3
Wiring Diagram	4
Power requirements - Three Phase Units	4
Power requirements - Single Phase Units	5
Dip Switch Settings	5
Setting up the Clivet Smart phone App (internet required)	6
Setting up the Clivet App	6
Setting up the Clivet App cont'd	7



Electrical – For Heat Pump and Associated Controls

Circuits and wiring required for installation of Clivet Heat Pump units and associated controls, immersion heater etc.

1x Dedicated 16A Immersion supply from the consumer unit to the area where the hot water cylinder is to be located and terminated with the **Supplied Time Guard 7-day time switch** that is part of the cylinder kit.

Optional 1x 6A a single socket is also required if installing a **third-party monitoring**, this should be near the Heat Pump Controller.

1x 0.75mm² 5 Core cable to be routed from Heat Pump to the Heat Pump Controller.

1x 0.75mm² 5 Core Cable to be routed from the Heat Pump to the cylinder location for the 3 port valve and bronze plate loading pump.

1x 0.75mm² 2 Core Cable to be routed from the Heat Pump to the cylinder location to be used as the cylinder sensor, or route the supplied **Clivet BLUE cylinder sensor** in the kit which is provided with the heat pump.

1x Dedicated supply from the consumer unit to the proximity of the outdoor unit, terminated with IP-rated rotary isolation. As rating of the unit is listed in the power requirements section.



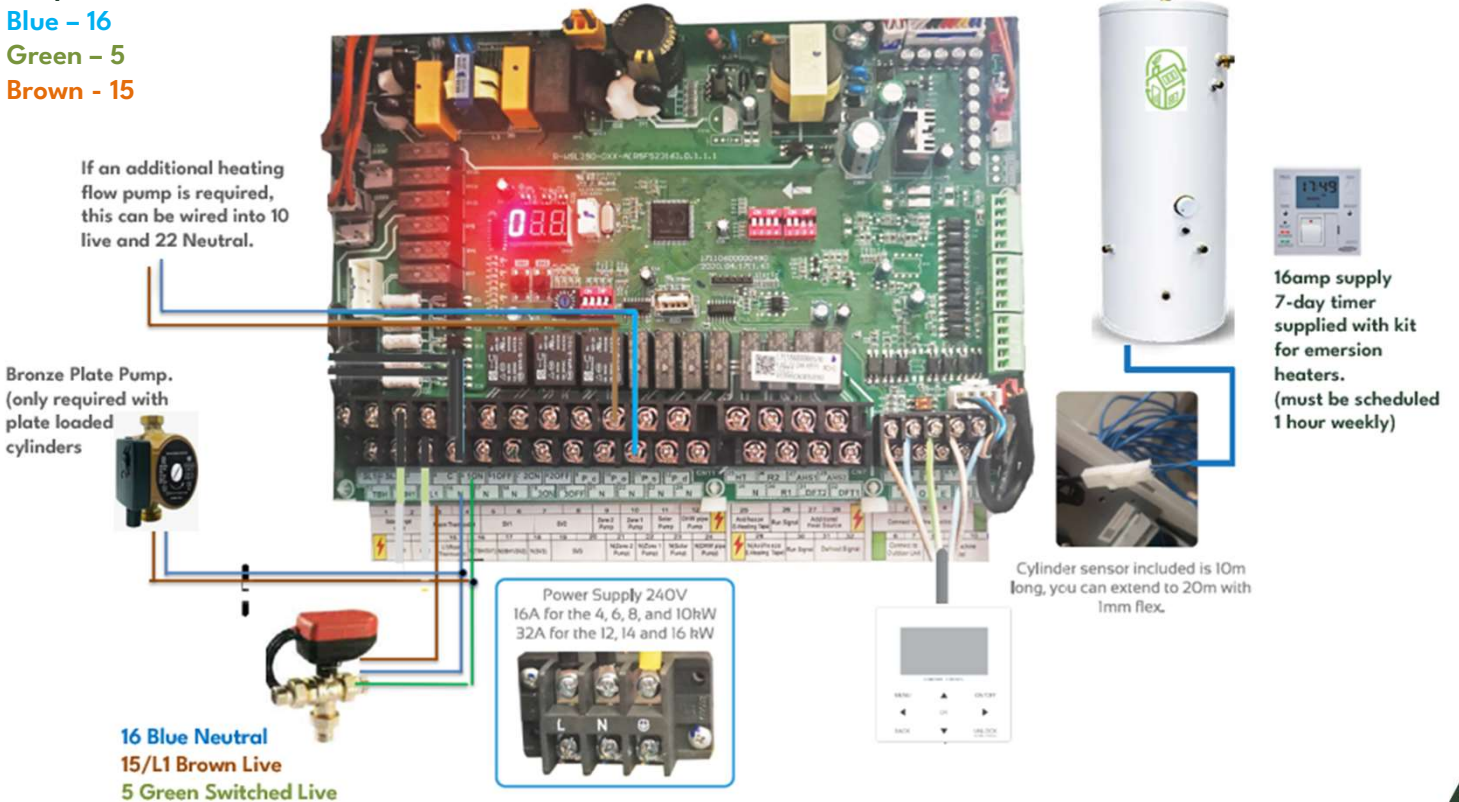
Wiring diagram

Wire guide – 3 Port Valve
Grey, Pink & White – Not Used.

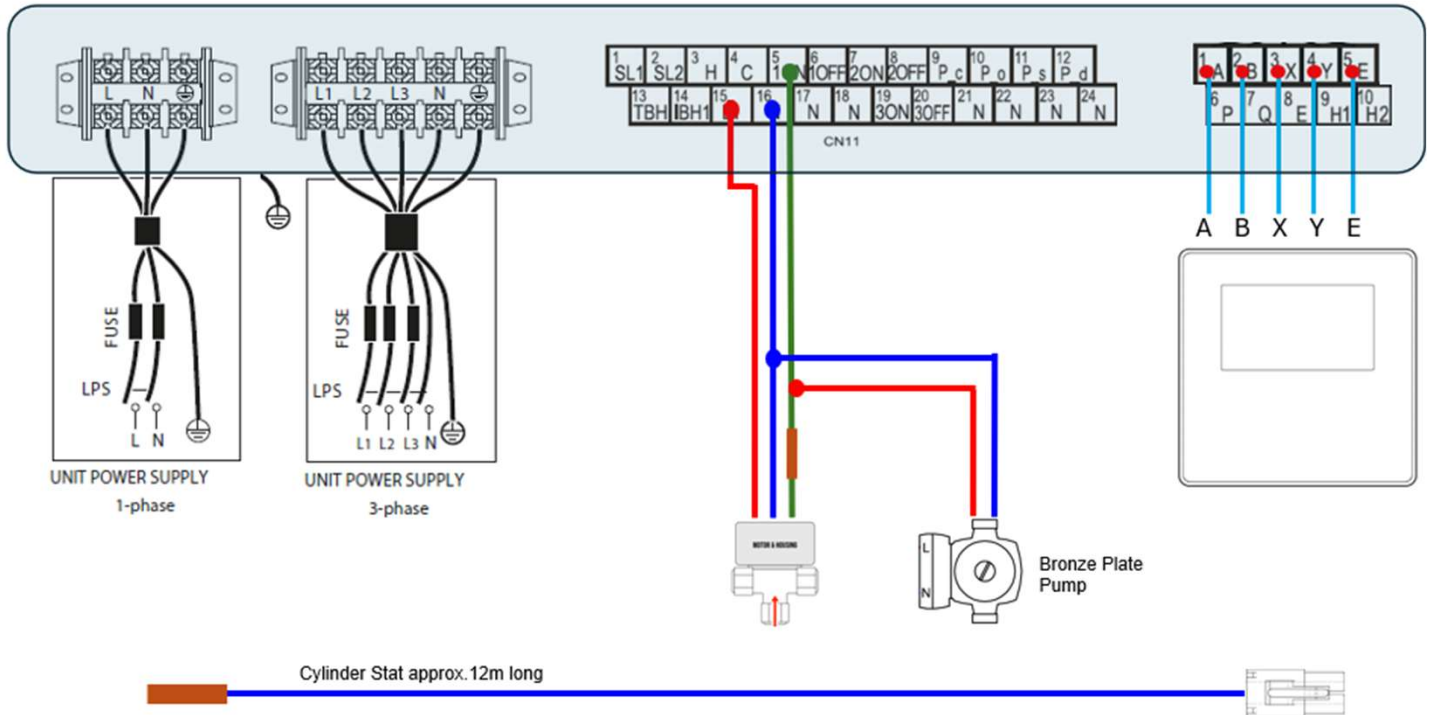
Blue – 16

Green – 5

Brown – 15



Wiring Diagram

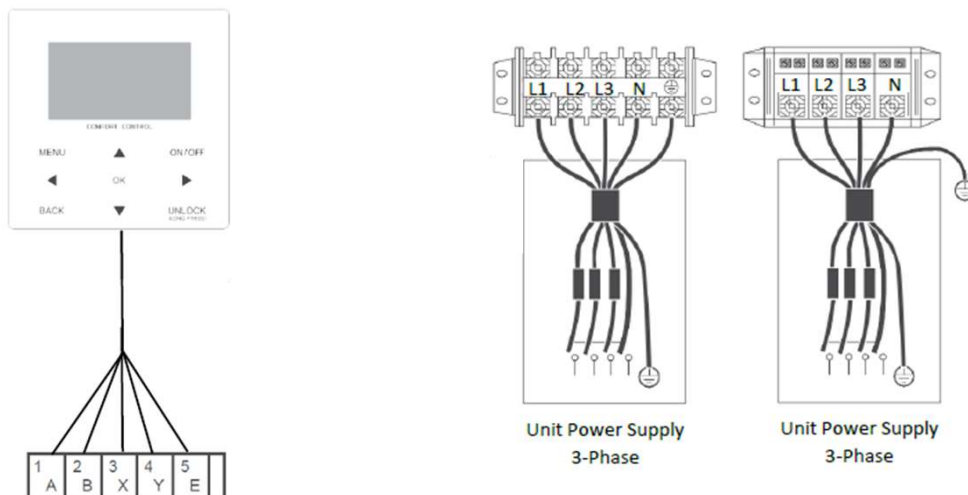


Power requirements - Three Phase Units

The Monobloc requires one power supply, the details of the power supply are detailed below

Unit	12kW 3-PH	14kW 3-PH	16kW 3-PH
Maximum overcurrent protector (MOP) (A)	14	14	14
Wiring size	2.5	2.5	2.5

The left sizing are the guidance only, correct cable sizing should be undertaken by a suitably qualified engineer. All electrical connections should be completed by a competent electrician.

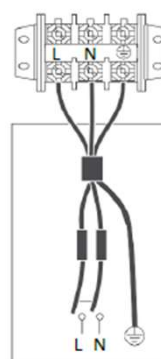
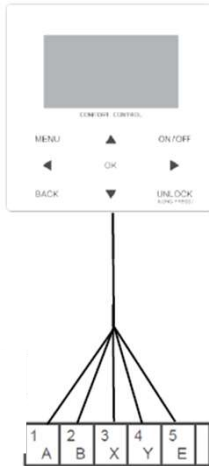


Power requirements - Single Phase Units

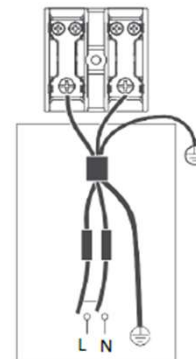
The Monobloc requires one power supply, the details of the power supply are detailed below.

Unit	4kW	6kW	8kW	10kW	12kW	14kW	16kW
Maximum overcurrent protector (MOP) (A)	18	18	19	19	30	30	30
Wiring size	4.0	4.0	4.0	4.0	6.0	6.0	6.0

The left sizing are the guidance only, correct cable sizing should be undertaken by a suitably qualified engineer. All electrical connections should be completed by a competent electrician.



Unit Power Supply
1-Phase



Unit Power Supply
1-Phase

Dip Switch Settings

DIP switch	ON=1	OFF=0	Factory defaults	DIP switch	ON=1	OFF=0	Factory defaults	DIP switch	ON=1	OFF=0	Factory defaults	
S1	0/0=IBH(One-step control) 0/1=IBH(Two-step control) 1/1=IBH(Three-step control)		Refer to electrically controlled wiring diagram	S2	1	Start pumpo after 24 hours will be invalid	Start pumpo after 24 hours will be valid	Refer to electrically controlled wiring diagram	S4	1	Master unit:clear addresses of all slave units Slave unit: clear its own address	Keep the current address
	0/0=Without IBH and AHS 1/0=With IBH 0/1=With AHS for heat mode 1/1=With AHS for heat mode and DHW mode				2	without TBH	with TBH			2	IBH for DHW =vaild	IBH for DHW =invalid
				3/4	0/0=pump 1 0/1=pump 2 1/0=pump 3 1/1=pump 4			3/4	Reserved		Refer to electrically controlled wiring diagram	

S2 Dip switch 2 should be set to OFF if the immersion heater is connected to the unit. If the Immersion heater is independent from the heat pump this must be set ON, failure to do so will lead to faults



S2



Setting up the Clivet Smart phone App (internet required)

The unit can be controlled and managed through the **SmartHome App** via a Wi-Fi module built into the HMI, which provides various features.

To activate management via the App from a smartphone or tablet, follow this procedure:

On a smartphone:

The App is available for Android and IOS systems and can be downloaded from the respective App Stores.

Download and install the App on the device that will control the unit.

NOTE:

For quick access to the App download page, scan this QR code



Setting up the Clivet App

Sign up/Log in

Open the App and create a new account on the home page or log in

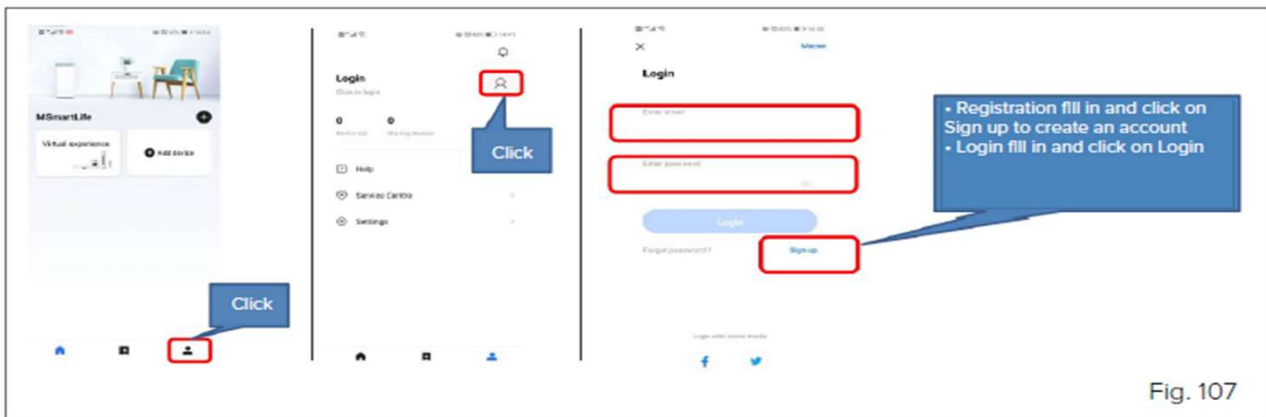


Fig. 107

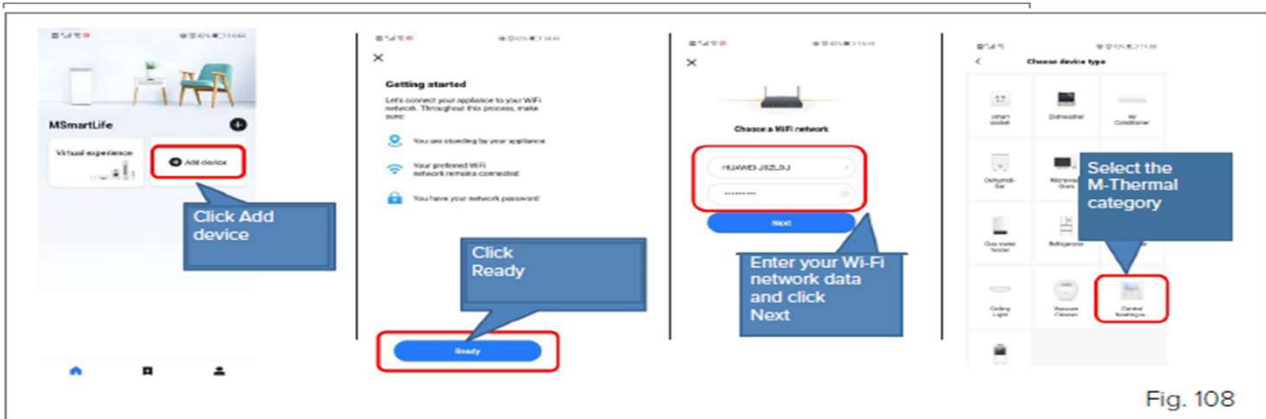
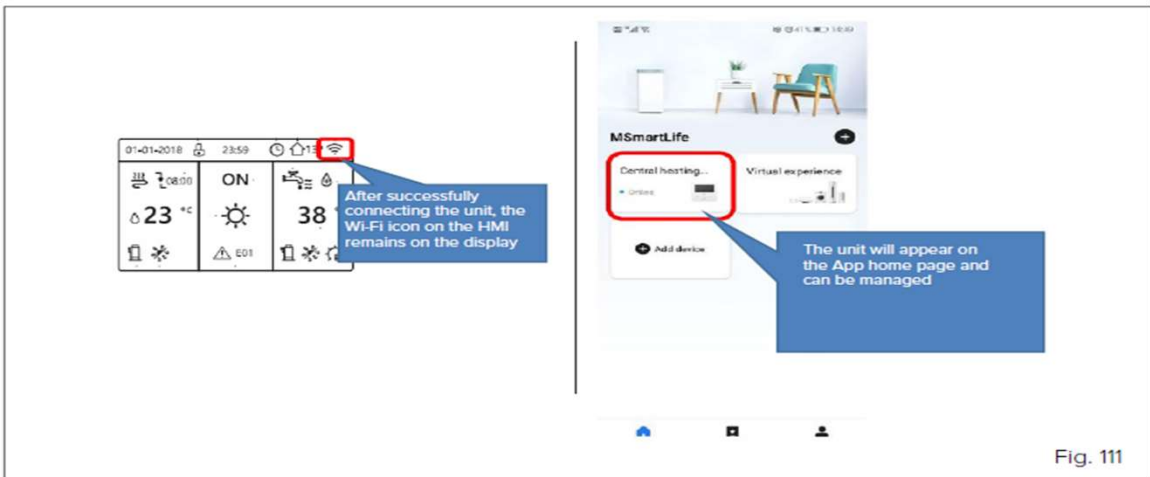
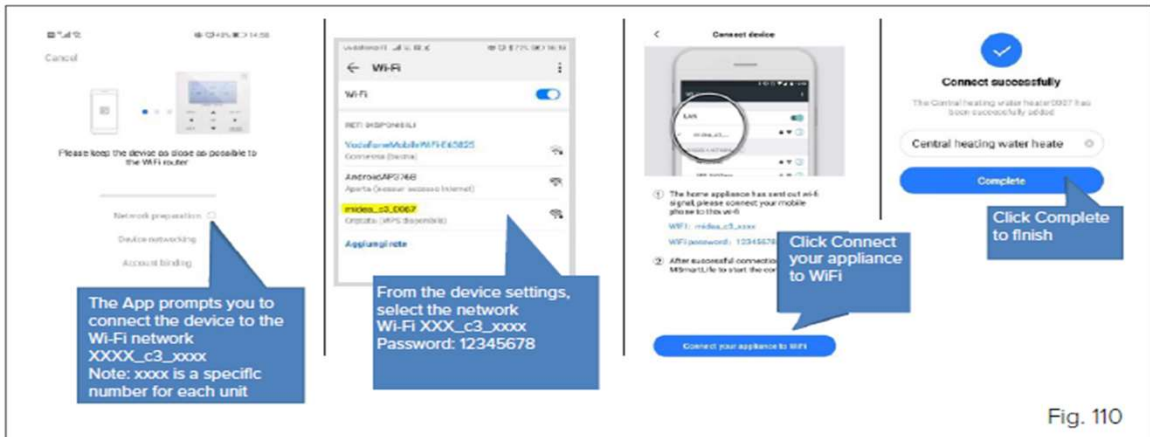
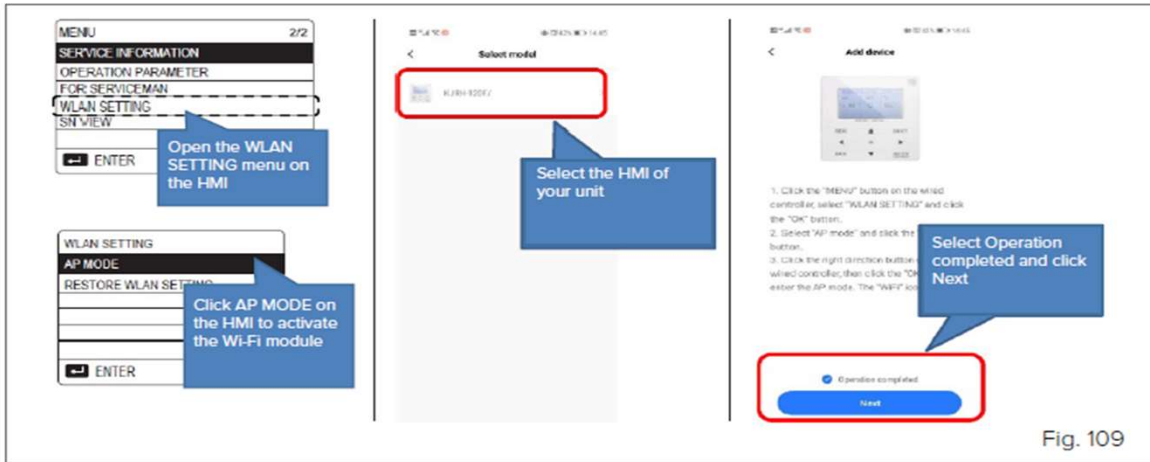


Fig. 108



Setting up the Clivet App (cont'd)



NOTE
If the connection fails, reset the settings and repeat the procedure

If connection to the App fails, click RESTORE WLAN SETTING on the HMI and repeat the procedure