



Ultimate Renewables Supplies

Supplying your renewable future

URS Wiring Schematic

Samsung EHS Mono R32 (Gen 6)

SAMSUNG





Contents

Unit Power Requirements	3
Electrical – For Heat Pump and Associated Controls	3
Wiring Layout	4
PWM Grundfos Pump without Return Pump	5
PWM Grundfos Pump with Return Pump	5
Wi Fi Setup	6
SmartThings download	6
Device registration (Add device)	6
▪ Wi-Fi AP setting in smart phone	6
▪ Searching Wi-Fi Kit 2.0	7
▪ Searching Wi-Fi Kit 2.0_Android	8





Unit Power Requirements:

Type	Power supply	MCA*	MFA**	Model	Capacity
Mono	1Ø	16A	20 A	AE050RXYDEG	5kW
		22 A	27.7 A	AE080RXYDEG	8kW
		28 A	35 A	AE120RXYDEG	12kW
		32 A	40 A	AE160RXYDE6	16kW
	3Ø	10 A	16.1 A	AE080RXYDGG	8kW
		10 A	16.1 A	AE120RXYDGG	12kW
		12 A	16.1 A	AE160RXYDGG	16kW

Electrical – Heat Pump and Associated Controls:

Circuits and wiring required for installation of Samsung Heat Pump units and associated controls.

1 x Dedicated 16A Immersion heater supply from the property consumer unit to the area where the hot water cylinder is to be located and terminated with the **Time Guard 7-day time switch** (supplied).

1 x Dedicated 16A supply from the property consumer unit to the area where the hot water cylinder/control box is to be located and terminated with a fuse spur to feed the **Samsung MIN control box**.

(Optional) 1 x 16A a single socket is also required if installing **Homely device**, this should be located near the **Samsung MIM Control box**.

1 x 0.75mm² 5 Core control cable to be routed from Heat Pump location to the **Samsung MIM Control box**.

1 x 0.75mm² 2 Core CY control cable to be routed from **Samsung MIM Control box** to the Samsung Controller position, hallway/lounge etc.

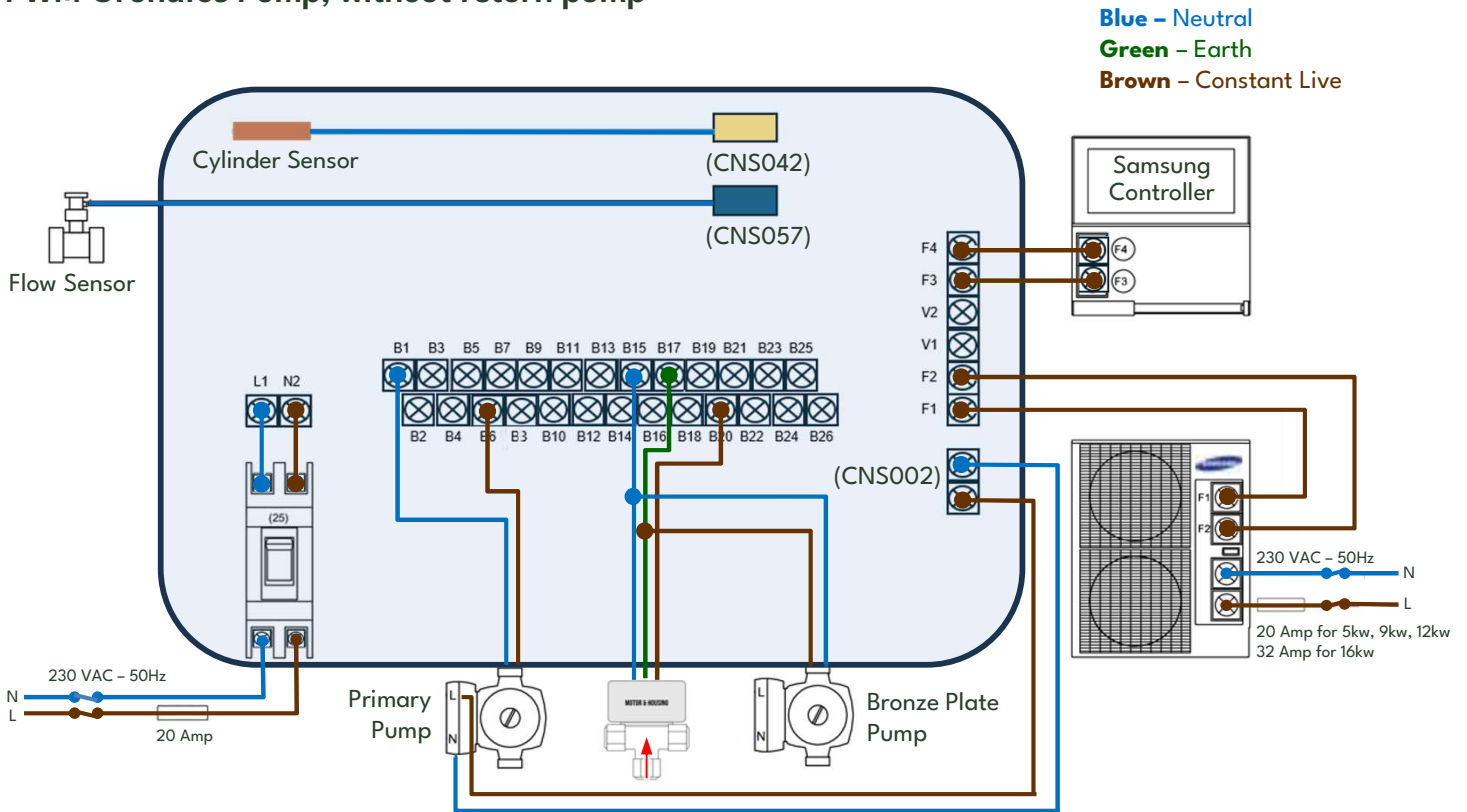
1 x Dedicated supply from the consumer unit to the proximity of the outdoor unit, terminated with IP65 rated rotary isolator as per the appliance rating.

1 x 0.75mm² 2 Core CY control cable from outdoor to MIM control box.

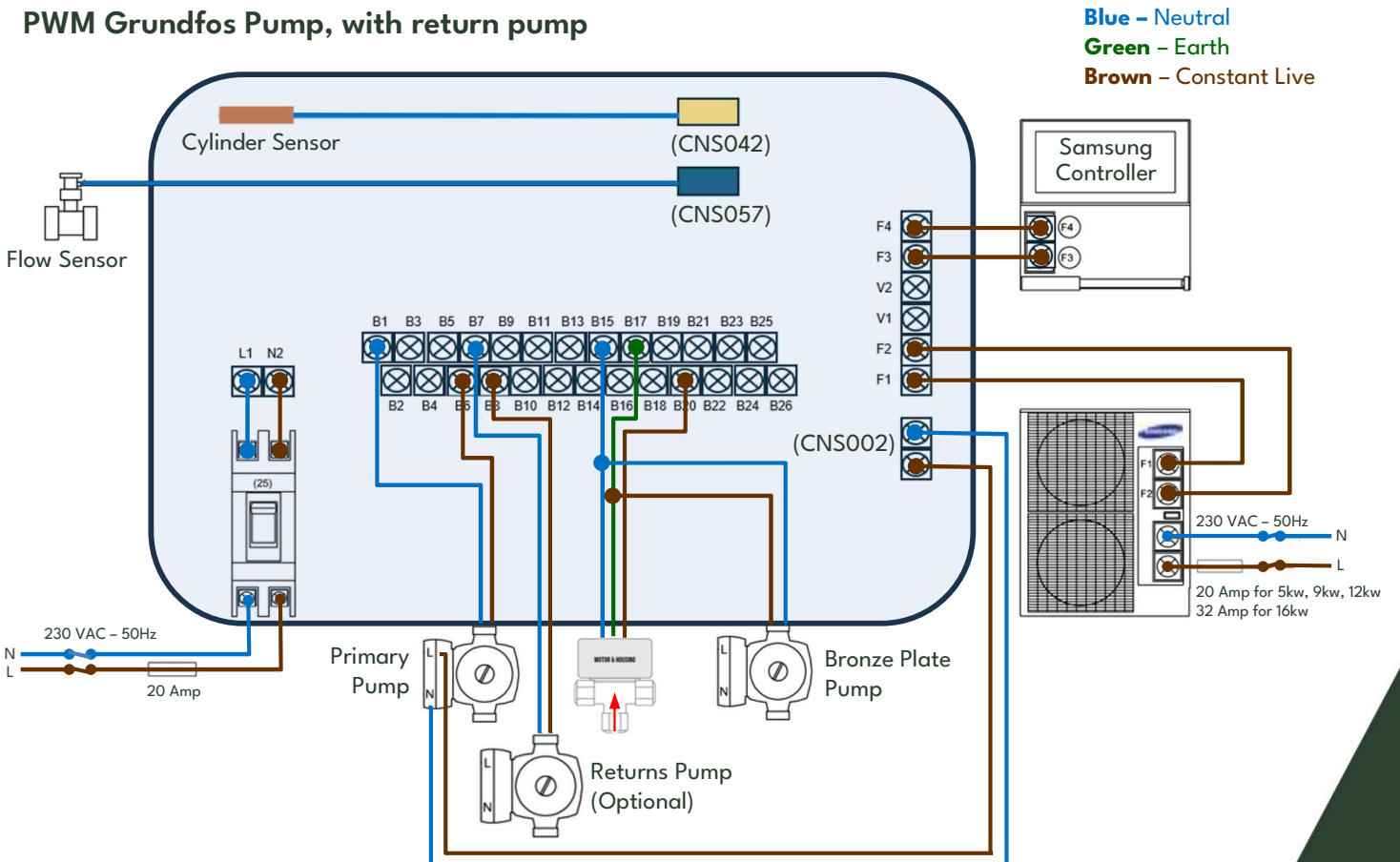




PWM Grundfos Pump, without return pump



PWM Grundfos Pump, with return pump



Wi Fi Setup

Step 1 : Give the power in Wi-Fi Kit

- When indoor unit power on, Wi-Fi-Kit is got the power.

➔

Step 2 : Searching the air-conditioner status

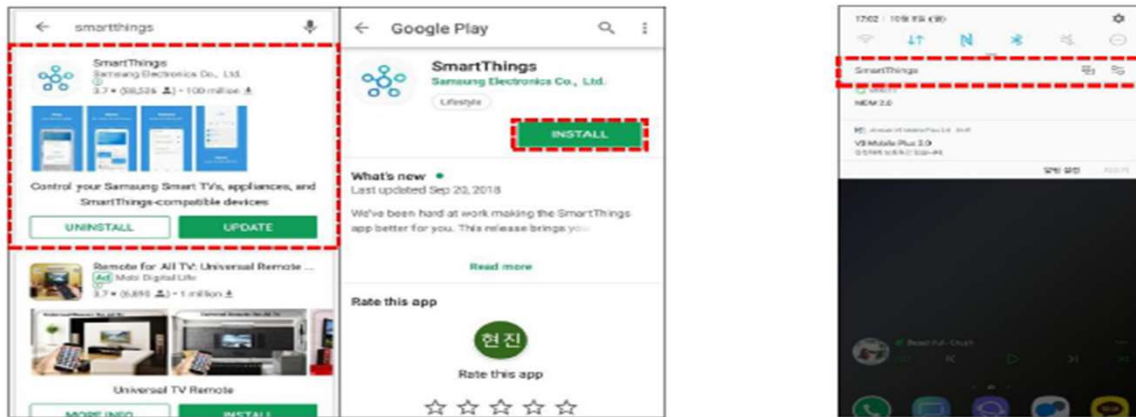
- It is tracking SAC automatically.
- LED status change (Status 1 → Status 2)

※ Caution : Indoor unit should be set to "central control use".
→ SEG5 of O2 series option : 1

LED	Status 1	Status 2	Status 3	Status 4
Power LED	Red	Red	Red	Red
Wi-Fi connection LED	Green	Grey	Grey	Green
Wi-Fi set LED	Green	Green	Green	Green
Remark	Initial	Wi-Fi Kit searching for Air conditioner is complete but Wi-Fi Kit and AP connection is incomplete	AP searching	Common(Complete)

SmartThings download:

Searching it in Play store (keyword : smarthings)



Device registration (Add device)

Wi-Fi AP setting in smart phone

- To connect the WI-FI kit 2.0 to a WI-FI network, turn on Wi-Fi at "Settings > Wi-Fi", and select AP



- Turning off "SMART NETWORK SWITCH" at "Settings > Wi-Fi" on your Smartphone
If "SMART NETWORK SWITCH" or "Adaptive Wi-Fi" is turned on, you cannot connect to the network.
Be sure to turn off these functions before connecting to the network.



* The setup may differ depending on smart phone model, OS version and manufacturer.



Device registration (Add device)

Searching Wi-Fi Kit 2.0

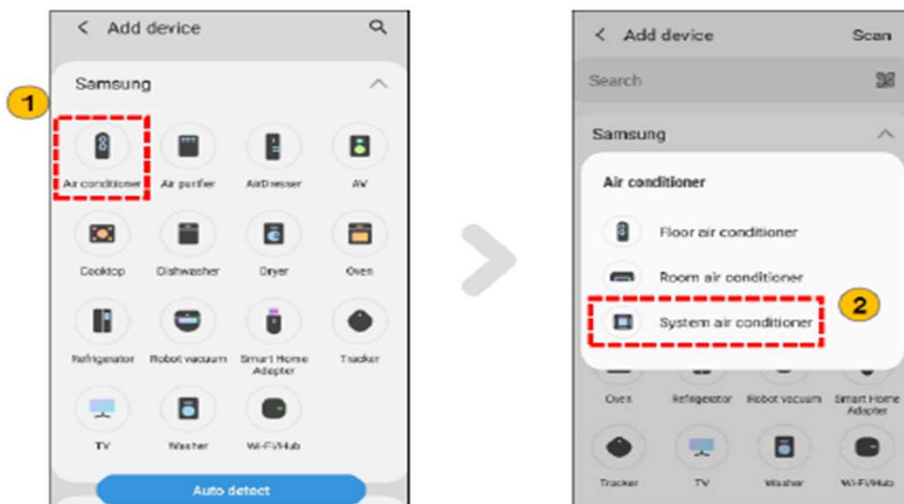
- After tracking Wi-Fi Kit 2.0, launch SmartThings app
- After launching the app, Select "Add now" when a pop up appears that you've found a product to connect.



- If a pop up does not appear, select "+", then select "Auto detect" to find the "System Air conditioner" item and add the device automatically.



- If Wi-Fi Kit 2.0 is not searched, please try to select "Air conditioner" icon and select the "System air conditioner".



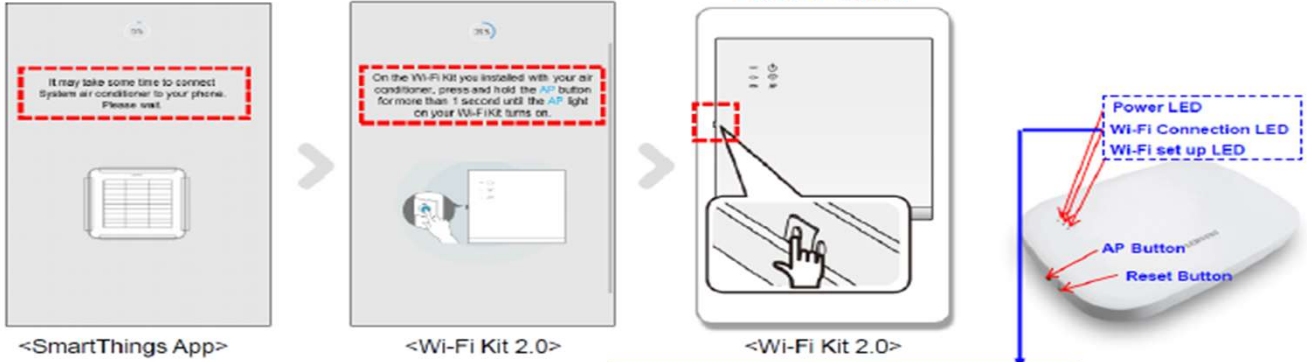


Device registration (Add device)

Searching Wi-Fi Kit 2.0_Android

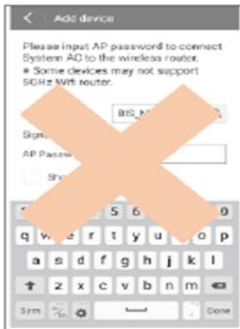
Set up near the wireless router (AP) for the first installation only – after completing, control remotely.

● Wi-Fi Kit 2.0 Connection_Android



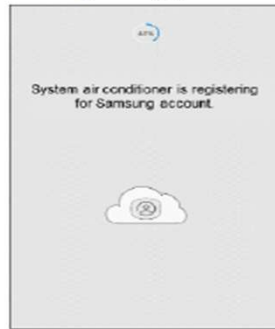
LED	Status 1	Status 2	Status 3	Status 4
Power LED	Red	Red	Red	Red
Wi-Fi connection LED	Green	Grey	Grey	Green
Wi-Fi set LED	Green	Grey	Green	Grey
Remark	Initial	Wi-Fi Kit searching for Air conditioner is complete but Wi-Fi Kit and AP connection is incomplete	AP searching	Common(Complete)

Enter AP Info.



* No need to enter the information of AP in case of Galaxy S

Networking setting (automatically)



LED	Status 1	Status 2	Status 3	Status 4
Power LED	Red	Red	Red	Red
Wi-Fi connection LED	Green	Grey	Green	Green
Wi-Fi set LED	Green	Grey	Green	Grey
Remark	Initial	Wi-Fi Kit searching for Air conditioner is complete but Wi-Fi Kit and AP connection is incomplete	AP searching	Common(Complete)

