



**Ultimate Renewables Supplies**

*Supplying your renewable future*

URS Wiring Schematics

Samsung EHS Mono R290 (Gen 7)

**SAMSUNG**



## Contents

<b>Unit Power Requirements</b>	<b>3</b>
<b>Electrical – Heat Pump and Associated Controls</b>	<b>3</b>
<b>Wiring Layout</b>	<b>4</b>
<b>PWM Grundfos Pump, without return pump</b>	<b>5</b>
<b>PWM Grundfos Pump with Return Pump</b>	<b>5</b>
<b>Wi Fi Setup</b>	<b>6</b>
<b>SmartThings download</b>	<b>6</b>
<b>Device registration (Add device)</b>	<b>6</b>
▪ <b>Wi-Fi AP setting in smart phone</b>	<b>6</b>
▪ <b>Searching Wi-Fi Kit 2.0</b>	<b>7</b>
▪ <b>Searching Wi-Fi Kit 2.0_Android</b>	<b>8</b>



### Unit Power Requirements:

Type	Power supply	MCA*	MFA**	Model	Capacity
Mono	1∅	16.1 A	17.6 A	AE050CXYDEKEU	5kW
		26.0 A	28.6 A	AE080CXYDEKEU	8kW
		32.0 A	35.2 A	AE120CXYDEKEU	12kW
		32.0 A	35.2 A	AE160CXYDEKEU	16kW
	3∅	16.1 A	17.7 A	AE080CXYDGKEU	8kW
		16.1 A	17.7 A	AE120CXYDGKEU	12kW
16.1 A		17.7 A	AE160CXYDGKEU	16kW	

### Electrical – Heat Pump and Associated Controls:

Circuits and wiring required for installation of Samsung Heat Pump units and associated controls.

1 x **Dedicated 16A** Immersion heater supply from the property consumer unit to the area where the hot water cylinder is to be located and terminated with the **Time Guard 7-day time switch** (supplied).

1 x **Dedicated 16A supply** from the property consumer unit to the area where the hot water cylinder/control box is to be located and terminated with a fuse spur to feed the **Samsung MIN control box**.

(Optional) 1 x **16A a single socket** is also required if installing **Homely device**, this should be located near the **Samsung MIM Control box**.

1 x **0.75mm<sup>2</sup> 5 Core control cable** to be routed from Heat Pump location to the **Samsung MIM Control box**.

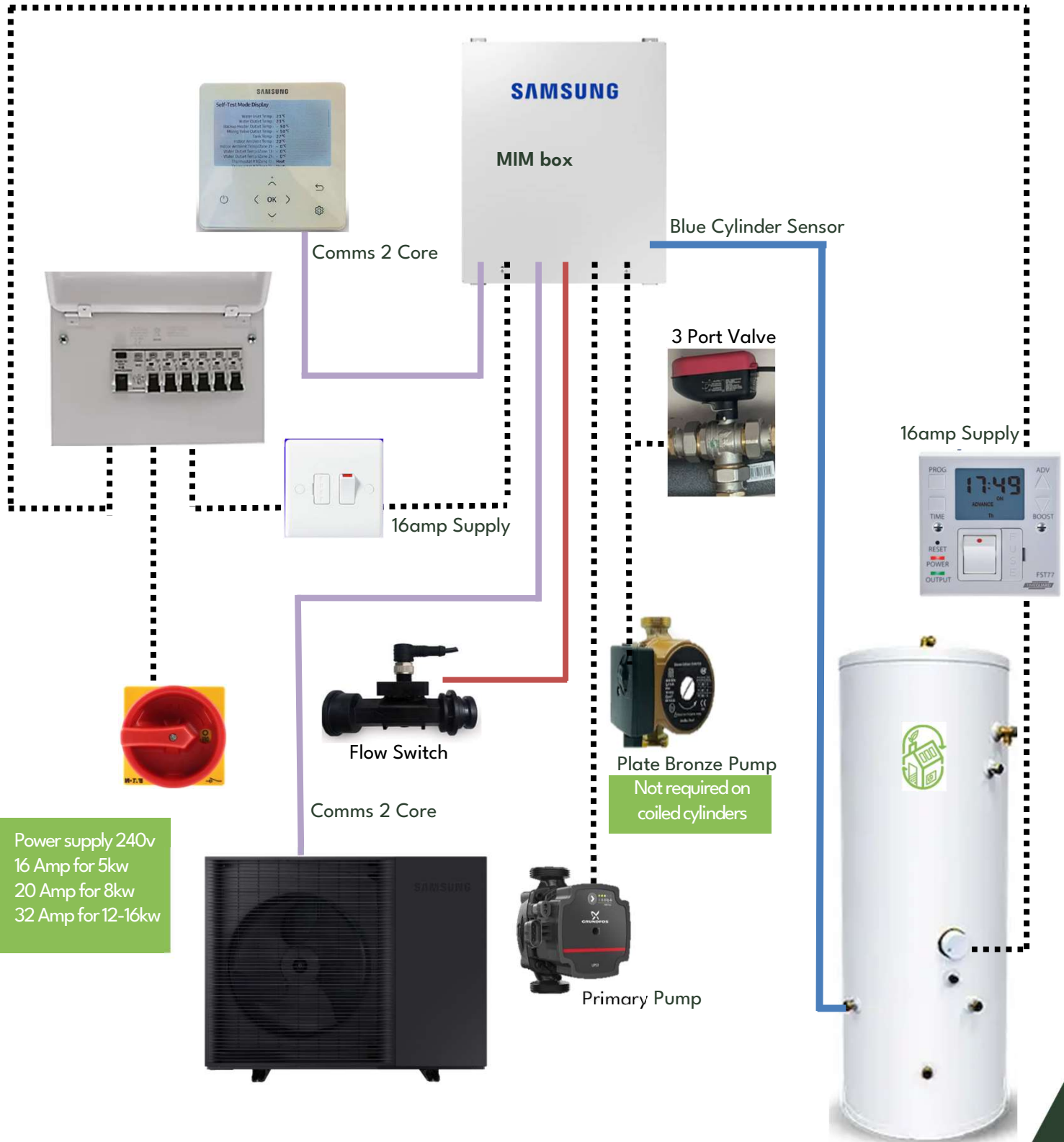
1 x **0.75mm<sup>2</sup> 2 Core CY control cable** to be routed from **Samsung MIM Control box** to the Samsung Controller position, hallway/lounge etc.

1 x **Dedicated supply** from the consumer unit to the proximity of the outdoor unit, terminated with IP65 rated rotary isolator as per the appliance rating.

1 x **0.75mm<sup>2</sup> 2 Core CY control cable** from outdoor to MIM control box.



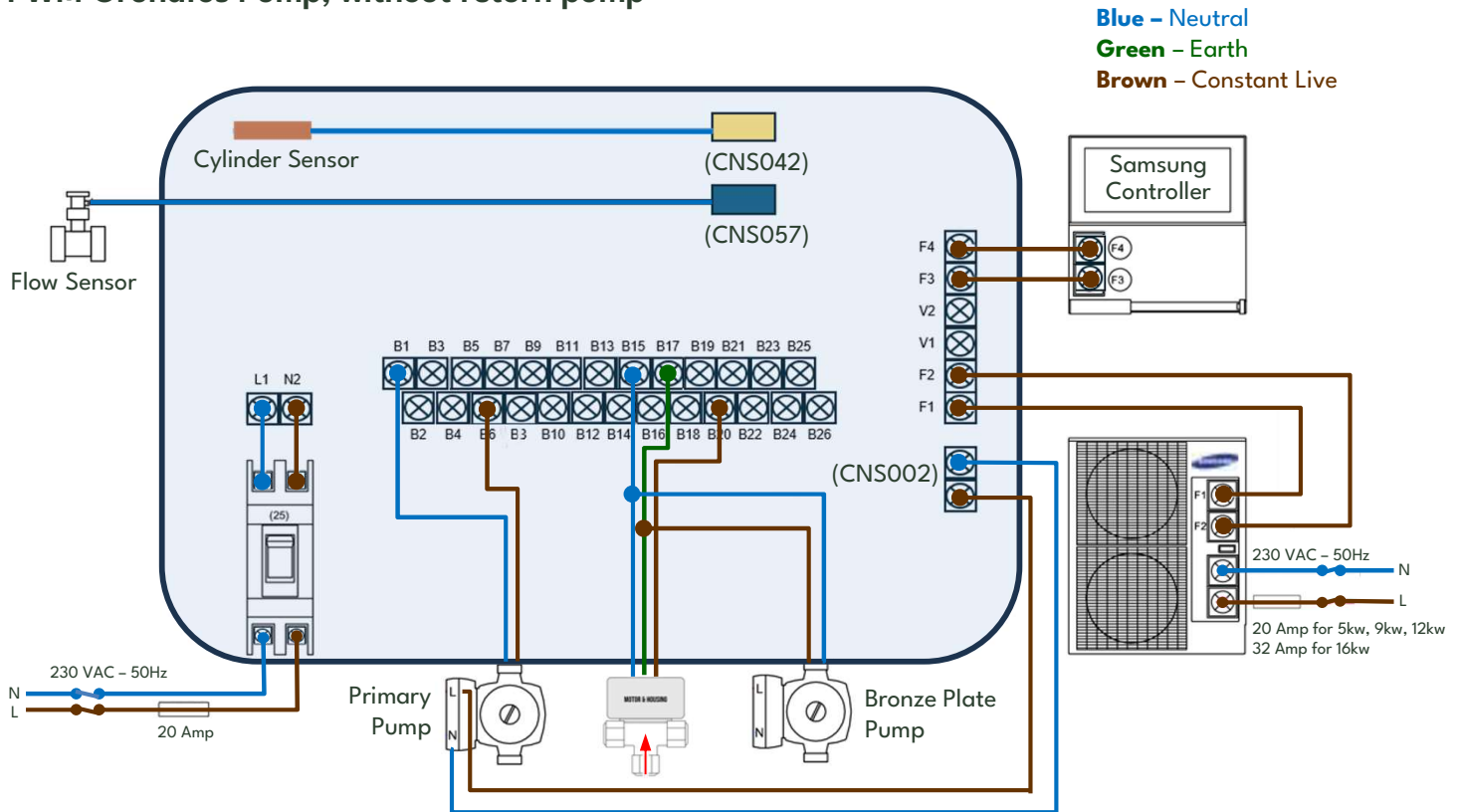
Wiring Layout



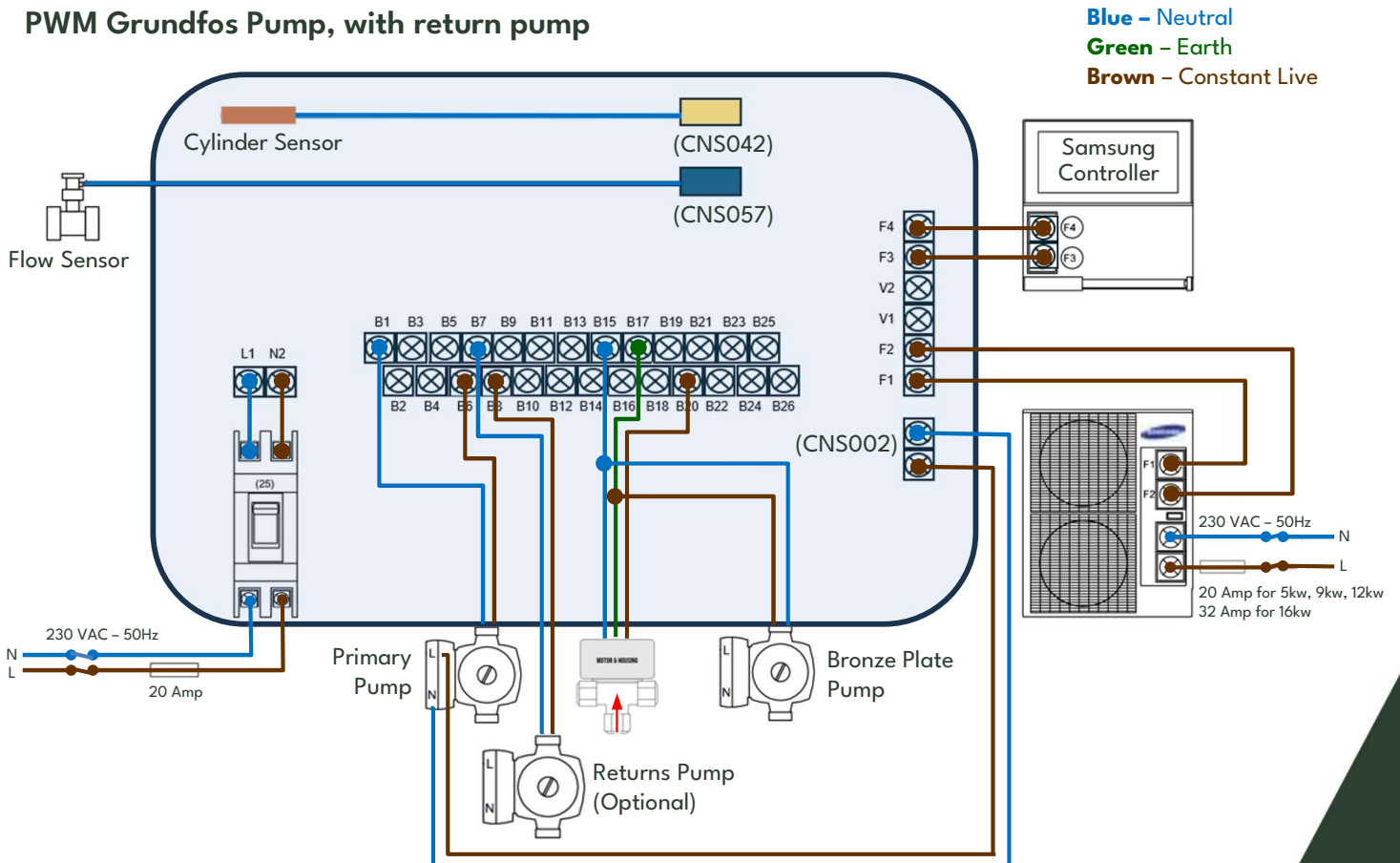
Power supply 240v  
16 Amp for 5kw  
20 Amp for 8kw  
32 Amp for 12-16kw

Plate Bronze Pump  
Not required on  
coiled cylinders

PWM Grundfos Pump, without return pump



PWM Grundfos Pump, with return pump



## Wi Fi Setup

**Step 1 : Give the power in Wi-Fi Kit**

- When indoor unit power on, Wi-Fi-Kit is got the power.

➔

**Step 2 : Searching the air-conditioner status**

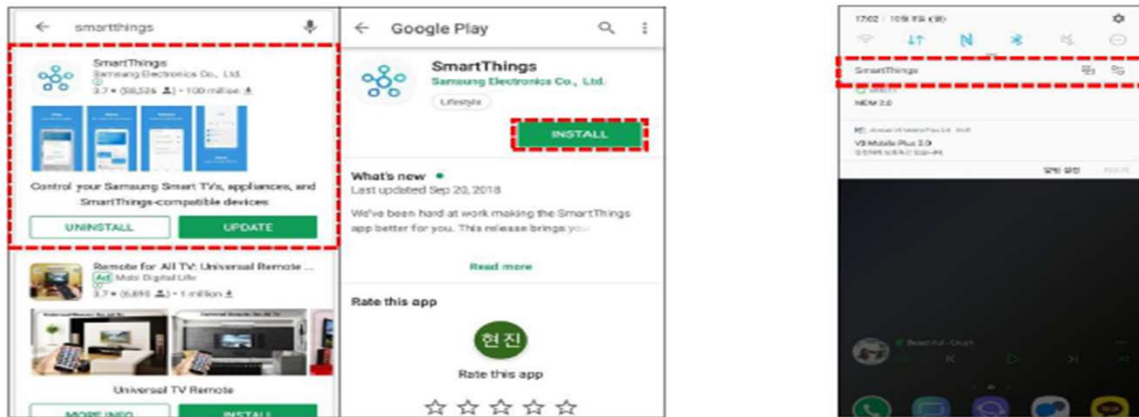
- It is tracking SAC automatically.
- LED status change (Status 1 → Status 2)

※ Caution : Indoor unit should be set to "central control use".  
→ SEG5 of O2 series option : 1

LED	Status 1	Status 2	Status 3	Status 4
Power LED	Red	Red	Red	Red
Wi-Fi connection LED	Green	Grey	Grey	Grey
Wi-Fi set LED	Green	Grey	Green	Grey
Remark	Initial	Wi-Fi Kit searching for Air conditioner is complete but Wi-Fi Kit and AP connection is incomplete	AP searching	Common(Complete)

## SmartThings download

Searching it in Play store (keyword : smarthings)



## Device registration (Add device)

### Wi-Fi AP setting in smart phone

- To connect the WI-FI kit 2.0 to a WI-FI network, turn on Wi-Fi at "Settings > Wi-Fi", and select AP



- Turning off "SMART NETWORK SWITCH" at "Settings > Wi-Fi" on your Smartphone  
 . If "SMART NETWORK SWITCH" or "Adaptive Wi-Fi" is turned on, you cannot connect to the network.  
 Be sure to turn off these functions before connecting to the network.



\* The setup may differ depending on smart phone model, OS version and manufacturer.



## Device registration (Add device)

### Searching Wi-Fi Kit 2.0

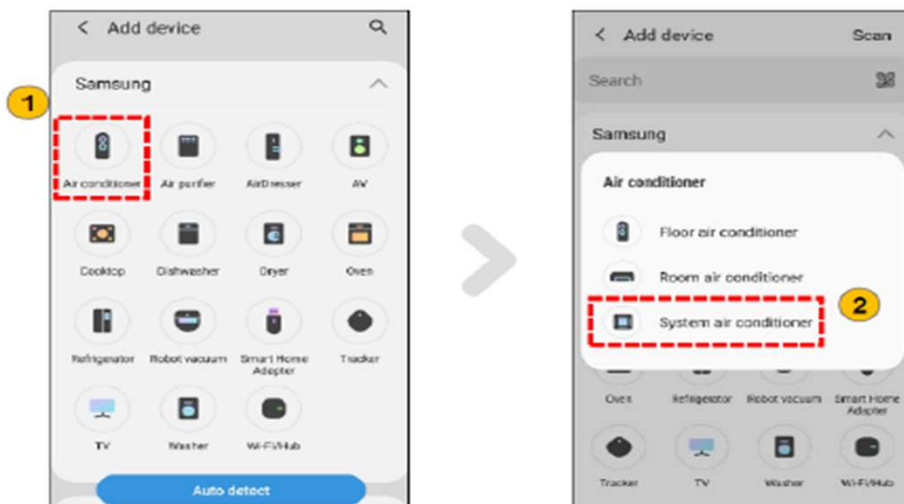
- After tracking Wi-Fi Kit 2.0, launch SmartThings app
- After launching the app, Select "Add now" when a pop up appears that you've found a product to connect.



- If a pop up does not appear, select "+", then select "Auto detect" to find the "System Air conditioner" item and add the device automatically.



- If Wi-Fi Kit 2.0 is not searched, please try to select "Air conditioner" icon and select the "System air conditioner".

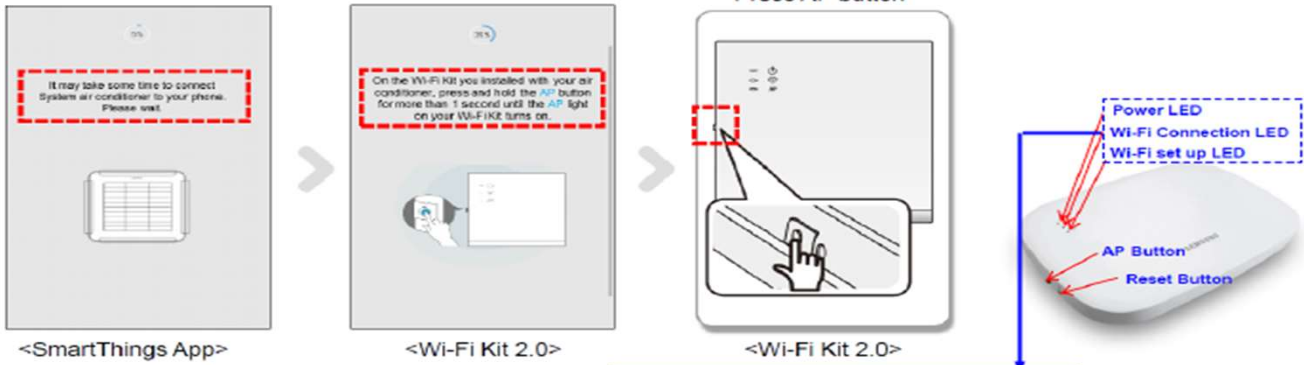


## Device registration (Add device)

### Searching Wi-Fi Kit 2.0\_Android

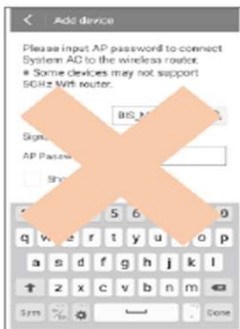
Set up near the wireless router (AP) for the first installation only – after completing, control remotely.

#### ● Wi-Fi Kit 2.0 Connection\_Android



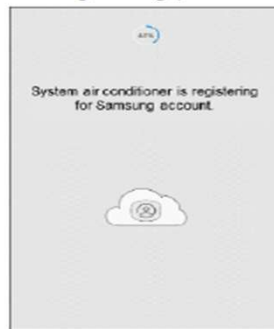
LED	Status 1	Status 2	Status 3	Status 4
Power LED	Red	Red	Red	Red
Wi-Fi connection LED	Green	Grey	Grey	Green
Wi-Fi set LED	Green	Grey	Green	Grey
Remark	Initial	Wi-Fi Kit searching for Air conditioner is complete but Wi-Fi Kit and AP connection is incomplete	AP searching	Common(Complete)

#### Enter AP Info.



\* No need to enter the information of AP in case of Galaxy S

#### Networking setting (automatically)



LED	Status 1	Status 2	Status 3	Status 4
Power LED	Red	Red	Red	Red
Wi-Fi connection LED	Green	Grey	Grey	Green
Wi-Fi set LED	Green	Grey	Green	Grey
Remark	Initial	Wi-Fi Kit searching for Air conditioner is complete but Wi-Fi Kit and AP connection is incomplete	AP searching	Common(Complete)

